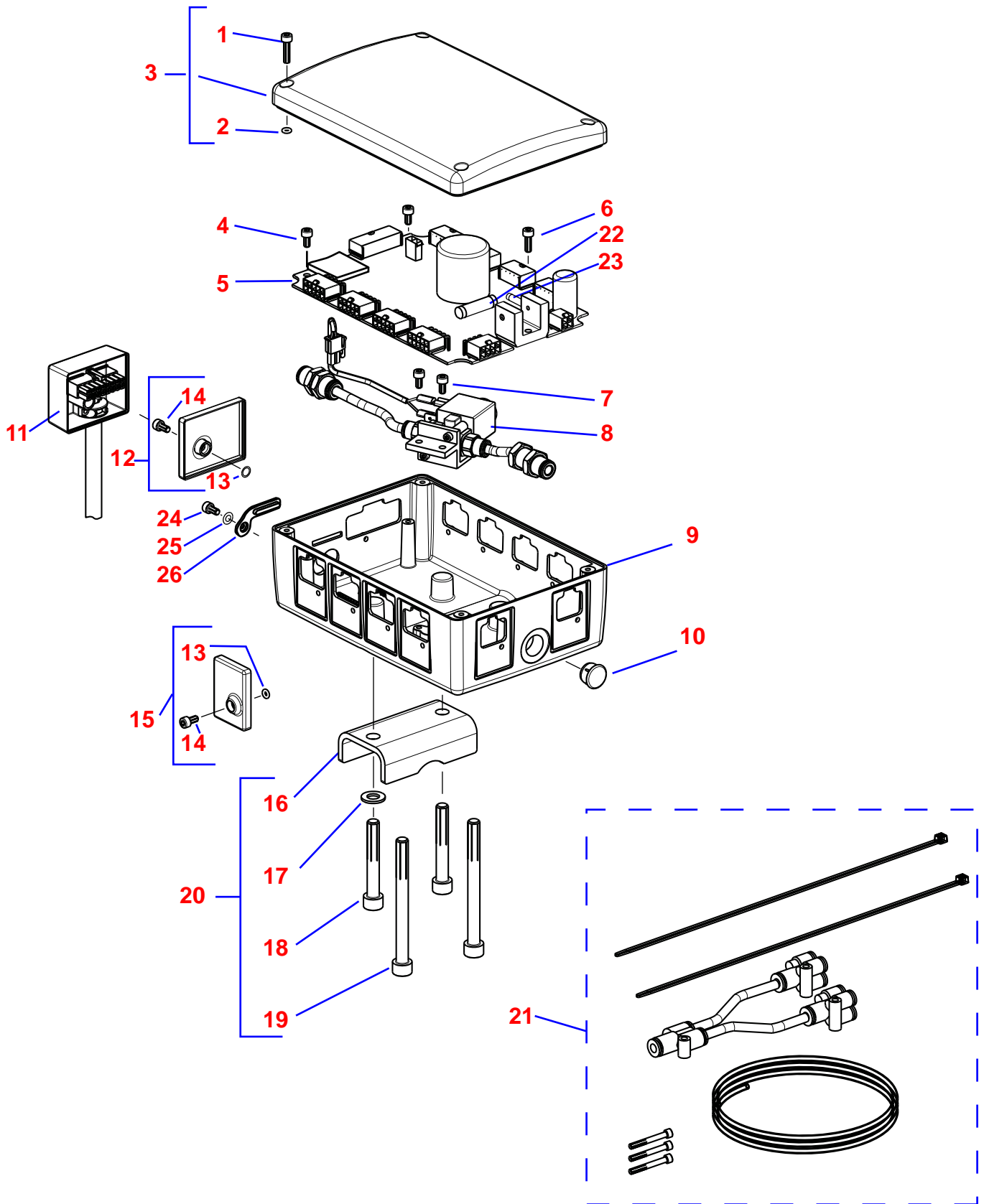



4131 Communication interface - Exploded view



PAGE 1 (1)	Spare parts list for Interface and Control box 4131.X Extension box 4231.X	REF. NO. 31-8974-0201- 03/1142	
---------------	---	--------------------------------------	--

POS	PART NO	DESCRIPTION	4131	4231	REMARKS
1	900.0187	SCREW			
2	900.9355	O-RING			
3	31.1100	COVER COMPL. Including pos. 9,20	☐		
4	900.0117	SCREW			
5	31.9125.004	CIRCUIT BOARD (4 colour, no CAN communication)	☐		For Stella 290
5	31.9125.008	CIRCUIT BOARD (8 colour, no CAN communication)	☐		For Stella 290
5	09E00683	CIRCUIT BOARD (4 colour, with CAN communication, prepared for central air cleaning)	☐		
5	09E00616	CIRCUIT BOARD (8 colour, with CAN communication, prepared for central air cleaning)	☐		
5	31.9129.1001	INTERFACE EXTENSION BOARD		☐	
6	900.0218	SCREW			
7	900.0117	SCREW	☐		
8	31.1159.003	VALVE COMPL.	☐		
9	31.1100	COVER COMPL. Including pos. 3,20			
9		COVER COMPL.		☐	
10	31.1160	PLUG			
11	31.1150.800	EXTENSION CABLE			
12	31.1129	COVER COMPL.			
13	900.9355	O-RING			
14	900.0117	SCREW			
15	31.1128	COVER COMPL.			
16	31.1062	MOUNT			
17	900.2008	WASHER			
18	900.0531	SCREW			
19	900.0403	SCREW			
20	31.1161	HOLDER COMPL.			
21	31.1142	AIR DISTRIBUTION KIT	☐		
22	F0083	FUSE 3,15A/500V			
23	F0084	FUSE 5A/250V			
24	900.0117	SCREW			
25	900.2159	WASHER			
26	31.1346	COVER			

IRO AB RESERVE THE RIGHT TO CHANGE THE CONTENTS WITHOUT PRIOR NOTIFICATION.

IRO AB HAT DAS RECHT, DEN INHALT OHNE VORHERIGE ANKÜNDIGUNG ZU ÄNDERN.