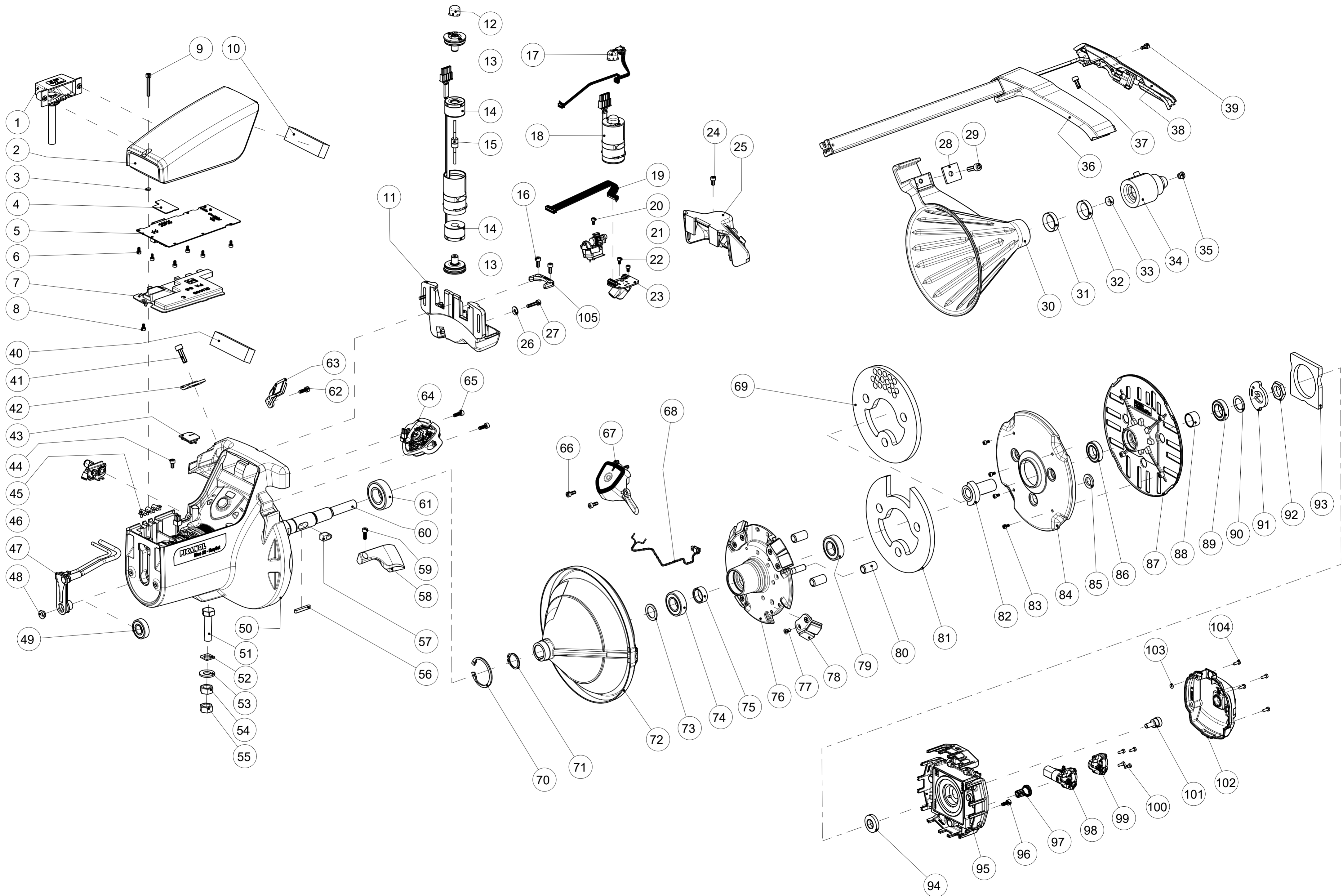




# Blue22 - Exploded view




|               |  |                                  |  |
|---------------|--|----------------------------------|--|
| PAGE<br>1 (3) | Spare parts list for Iro IWF BLUE22G.24.X. | REF. NO.<br>31-897B-0201-04/1825 |  |
|---------------|--|----------------------------------|--|

| Pos.             | Part Number   | Part name                            | Blue22 | Blue22<br>EasySet | Note                                       |
|------------------|---------------|--------------------------------------|--------|-------------------|--|
| 1                | 27.0923.1200  | CONNECTION CABLE                     |        |                   |  |
| 2                | 31.1397.R     | CIRCUIT BOARD COVER                  |        |                   |  |
| 3                | 900.9355.R    | O-RING                               |        |                   | Package of 10pcs.                          |
| 4                | 31.1542.001   | GAP PAD WITH ASSEMBLY<br>INSTRUCTION |        |                   |  |
| 5                | 31.1542       | CIRCUIT BOARD COMPL.                 |        |                   | Incl. pos. 4                               |
| 6, 8, 20, 22, 83 | 900.0426.R    | SCREW                                |        |                   | Package of 10pcs.                          |
| 7                | 31.1408.R     | PROTECTION COVER                     |        |                   |  |
| 8, 6, 20, 22, 83 | 900.0426.R    | SCREW                                |        |                   | Package of 10pcs.                          |
| 9                | 900.0447.R    | SCREW                                |        |                   | Package of 10pcs.                          |
| 10, 40           | 31.1293.R     | SEALING MOTOR HOUSING                |        |                   | Package of 10pcs.                          |
| 11               | 31.1510.R     | STOPPER HOUSING                      |        |                   | Incl. pos. 16, 20, 21, 24,<br>25, 105      |
| 12               | 31.1096       | COVER, STOPPER MAGNET                |        |                   | For magnet 31.0964.005                     |
| 13 + 15          | 31.1393.002   | PLUNGER WITH FRONTS KIT              |        |                   | Incl. 2 pcs.pos. 13 and 1<br>piece pos. 15 |
| 14               | 31.1038.002   | COILS                                |        |                   |  |
| 15 + 13          | 31.1393.002   | PLUNGER WITH FRONTS KIT              |        |                   | Incl. 2 pcs.pos. 13 and 1<br>piece pos. 15 |
| 16, 66, 96       | 900.0075.R    | SCREW                                |        |                   | Package of 10pcs.                          |
| 17               | 31.1527       | MAGNET SENSOR                        |        |                   | For magnet 31.0964.006                     |
| 18               | 31.0964.005   | STOPPER MAGNET COMPL.                |        |                   | Without sensor                             |
| 18               | 31.0964.006   | STOPPER MAGNET COMPL.                |        |                   | With sensor                                |
| 19               | 31.1474       | SENSOR CABLE COMPL.                  |        |                   |  |
| 20, 6, 8, 22, 83 | 900.0426.R    | SCREW                                |        |                   | Package of 10pcs.                          |
| 21               | 31.1572       | YARN RESERVE SENSOR                  |        |                   |  |
| 22, 6, 8, 20, 83 | 900.0426.R    | SCREW                                |        |                   | Package of 10pcs.                          |
| 23               | 31.1469       | WINDING SENSOR                       |        |                   |  |
| 24, 39, 44       | 900.0117.R    | SCREW                                |        |                   | Package of 10pcs.                          |
| 25               | 31.1355.001.R | COVER, STOPPERHOUSING CPL            |        |                   |  |
| 26               | 900.2091.R    | WASHER                               |        |                   | Package of 10pcs.                          |
| 27               | 900.0260.R    | SCREW                                |        |                   | Package of 10pcs.                          |
| 28               | 31.1220       | CLAMP                                |        |                   |  |
| 29, 41           | 900.0114.R    | SCREW                                |        |                   | Package of 10pcs.                          |
| 30               | 31.1321.001   | BALLOON CONE KIT                     |        |                   | Incl. pos. 28, 29, 31                      |
| 31, 32           | 900.6144.R    | EYELET                               |        |                   | Package of 10pcs.                          |
| 33               | 31.1198.R     | EYELET, NOZZLE INLET                 |        |                   | Package of 10pcs.                          |
| 34               | 31.1375.002.R | PFT NOZZLE COMPL.                    |        |                   | Incl. pos. 32, 33, 35, 37                  |
| 35               | 31.1199.R     | EYELET, NOZZLE OUTLET                |        |                   | Package of 10pcs.                          |
| 36               | 31.1223.003   | PFT BAR COMPL.                       |        |                   | Incl. pos. 32-35, 37-39, 41,<br>42         |
| 37               | 900.0081.R    | SCREW                                |        |                   | Package of 10pcs.                          |

|               |  |                                  |  |
|---------------|--|----------------------------------|--|
| PAGE<br>2 (3) | Spare parts list for Iro IWF BLUE22G.24.X. | REF. NO.<br>31-897B-0201-04/1825 |  |
|---------------|--|----------------------------------|--|

| Pos.       | Part Number   | Part name                              | Blue22 | Blue22<br>EasySet | Note                                 |
|------------|---------------|--|--------|-------------------|--------------------------------------|
| 38         | 31.1209.001.R | ARM COVER COMPL.                       |        |                   |                                      |
| 39, 24, 44 | 900.0117.R    | SCREW                                  |        |                   | Package of 10pcs.                    |
| 40, 10     | 31.1293.R     | SEALING MOTOR HOUSING                  |        |                   | Package of 10pcs.                    |
| 41, 29     | 900.0114.R    | SCREW                                  |        |                   | Package of 10pcs.                    |
| 42         | 31.1185.R     | CLAMP CONE BAR                         |        |                   |                                      |
| 43         | 27.0727.R     | PLUG                                   |        |                   |                                      |
| 44, 24, 39 | 900.0117.R    | SCREW                                  |        |                   | Package of 10pcs.                    |
| 45         | 31.1294       | PLUG, MOTOR HOUSING                    |        |                   |                                      |
| 46 + 47    | 31.1371.R     | VALVE WITH AIR CONNECTION<br>HOLDER    |        |                   | Incl. pos. 48                        |
| 48         | 900.6101.R    | EYELET                                 |        |                   | Package of 10pcs.                    |
| 49         | 900.4061      | BALL BEARING                           |        |                   | Package of 10pcs.                    |
| 50         | 31.1607.001.R | KIT – MOTOR COMPL.. BLUE22<br>EASY SET |        | *                 | Incl. pos. 40-49, 51-65, 70,<br>71   |
| 50         | 31.1607.002.R | KIT – MOTOR COMPL. BLUE22              | *      |                   | Incl. pos. 40-49, 51-63, 70,<br>71   |
| 51         | 900.0555.R    | BOLT                                   |        |                   | Package of 10pcs.                    |
| 52         | 31.0265.R     | SQUARE WASHER                          |        |                   | Package of 10pcs.                    |
| 53         | 900.2072.R    | WASHER                                 |        |                   | Package of 10pcs.                    |
| 54, 55     | 900.1043.R    | NUT                                    |        |                   | Package of 10pcs.                    |
| 56         | 900.9314.R    | KEY                                    |        |                   | Package of 10pcs.                    |
| 57         | 900.6165.R    | CERAMIC EYELET                         |        |                   | Package of 10pcs.                    |
| 58         | 31.1262.R     | YARN GUIDE                             |        |                   |                                      |
| 59, 62, 65 | 900.0218.R    | SCREW                                  |        |                   | Package of 10pcs.                    |
| 60         | 31.1608.001.R | KIT – ROTOR COMPL.                     |        |                   | Incl. pos. 49, 56, 57, 61,<br>70, 71 |
| 61         | 900.4064      | BALL BEARING                           |        |                   | Package of 10pcs.                    |
| 62, 59, 65 | 900.0218.R    | SCREW                                  |        |                   | Package of 10pcs.                    |
| 63         | 31.0218.R     | MAGNET HOLDER                          |        |                   |                                      |
| 64         | 31.1414.R     | COIL COMPL. MOTOR<br>HOUSING           |        | *                 |                                      |
| 65, 59, 62 | 900.0218.R    | SCREW                                  |        | *                 | Package of 10pcs.                    |
| 66, 16, 96 | 900.0075.R    | SCREW                                  |        | *                 | Package of 10pcs.                    |
| 67         | 31.1416.R     | COIL COMPL. SPOOL BODY                 |        | *                 |                                      |
| 68         | 31.1507.R     | PCB POWER WIRE                         |        | *                 |                                      |
| 69         | 31.1552       | SEAL, MAGNET RING                      |        |                   |                                      |
| 70         | 900.9014.R    | CIRCLIP                                |        |                   | Package of 10pcs.                    |
| 71         | 900.9017.R    | CIRCLIP                                |        |                   | Package of 10pcs.                    |
| 72         | 31.1488.R     | WINDING DISC COMPL.                    |        |                   |                                      |
| 73, 90     | 900.2071.R    | WASHER                                 |        |                   | Package of 10pcs.                    |
| 74, 79     | 900.4063      | BALL BEARING                           |        |                   | Package of 10pcs.                    |
| 75         | 31.1257.R     | SPACER                                 |        |                   |                                      |

|               |  |                                  |  |
|---------------|--|----------------------------------|--|
| PAGE<br>3 (3) | Spare parts list for Iro IWF BLUE22G.24.X. | REF. NO.<br>31-897B-0201-04/1825 |  |
|---------------|--|----------------------------------|--|

| Pos.             | Part Number   | Part name                           | Blue22 | Blue22<br>EasySet | Note                            |
|------------------|---------------|-------------------------------------|--------|-------------------|---------------------------------|
| 76               | 31.1515.001.R | MAGNET RING COMPL.                  |        |                   | Incl. pos. 74, 75, 77-79        |
| 77               | 900.0572.R    | SCREW                               |        |                   | Package of 10pcs.               |
| 78               | 31.0219.R     | MAGNET HOLDER COMPL                 |        |                   |                                 |
| 79, 74           | 900.4063      | BALL BEARING                        |        |                   | Package of 10pcs.               |
| 80               | 31.0463       | SLEEVE                              |        |                   |                                 |
| 81               | 31.1551       | SEAL, MAGNET RING                   |        |                   |                                 |
| 82               | 31.1419.R     | INCLINED HUB                        |        |                   |                                 |
| 83, 6, 8, 20, 22 | 900.0426.R    | SCREW                               |        |                   | Package of 10pcs.               |
| 84               | 31.1410       | COVER FOR WOBBL. DISC               |        |                   |                                 |
| 85               | 31.0904       | GROMMET                             |        |                   |                                 |
| 86, 89           | 900.4090      | BALL BEARING                        |        |                   | Package of 10pcs.               |
| 87               | 31.1476       | WOBBLING DISC COMPL.                |        |                   | Incl. 82-86, 88-92.             |
| 88               | 31.1420       | SPACER                              |        |                   |                                 |
| 89, 86           | 900.4090      | BALL BEARING                        |        |                   | Package of 10pcs.               |
| 90, 73           | 900.2071.R    | WASHER                              |        |                   | Package of 10pcs.               |
| 91               | 31.1282.R     | COUNTER WEIGHT                      |        |                   |                                 |
| 92               | 120.0042.R    | NUT                                 |        |                   |                                 |
| 93               | 31.1487       | SEAL                                |        |                   |                                 |
| 94 + 101         | 31.1381.R     | SPRING WASHER AND SCREW             |        |                   |                                 |
| 95               | 31.1540.001   | SPOOL BODY EASY SET                 |        | *                 | Incl. pos. 96-98, 100, 102      |
| 95               | 31.1540.002   | SPOOL BODY                          | *      |                   | Incl. pos. 96, 97, 99, 100, 102 |
| 96, 16, 66       | 900.0075.R    | SCREW                               |        |                   | Package of 10pcs.               |
| 97               | 31.1554.R     | DRIVE COG WHEEL                     |        |                   |                                 |
| 98               | 31.1493.001.R | DRIVE SUSPENSION COMPL.<br>EASY SET |        | *                 |                                 |
| 99               | 31.1493.002.R | DRIVE SUSPENSION COMPL.             | *      |                   |                                 |
| 100              | 900.0535.R    | SCREW                               |        |                   | Package of 10pcs.               |
| 101 + 94         | 31.1381.R     | SPRING WASHER AND SCREW             |        |                   |                                 |
| 102              | 31.1516.001.R | FRONT COVER COMPL. EASY<br>SET      |        | *                 | Incl. pos. 103, 104             |
| 102              | 31.1516.002.R | FRONT COVER COMPL.                  | *      |                   | Incl. pos. 103, 104             |
| 103              | 900.9493.R    | O-RING                              |        |                   | Package of 10pcs.               |
| 104              | 900.0625.R    | SCREW                               |        |                   | Package of 10pcs.               |
| 105              | 31.1022       | CLAMP                               |        |                   |                                 |