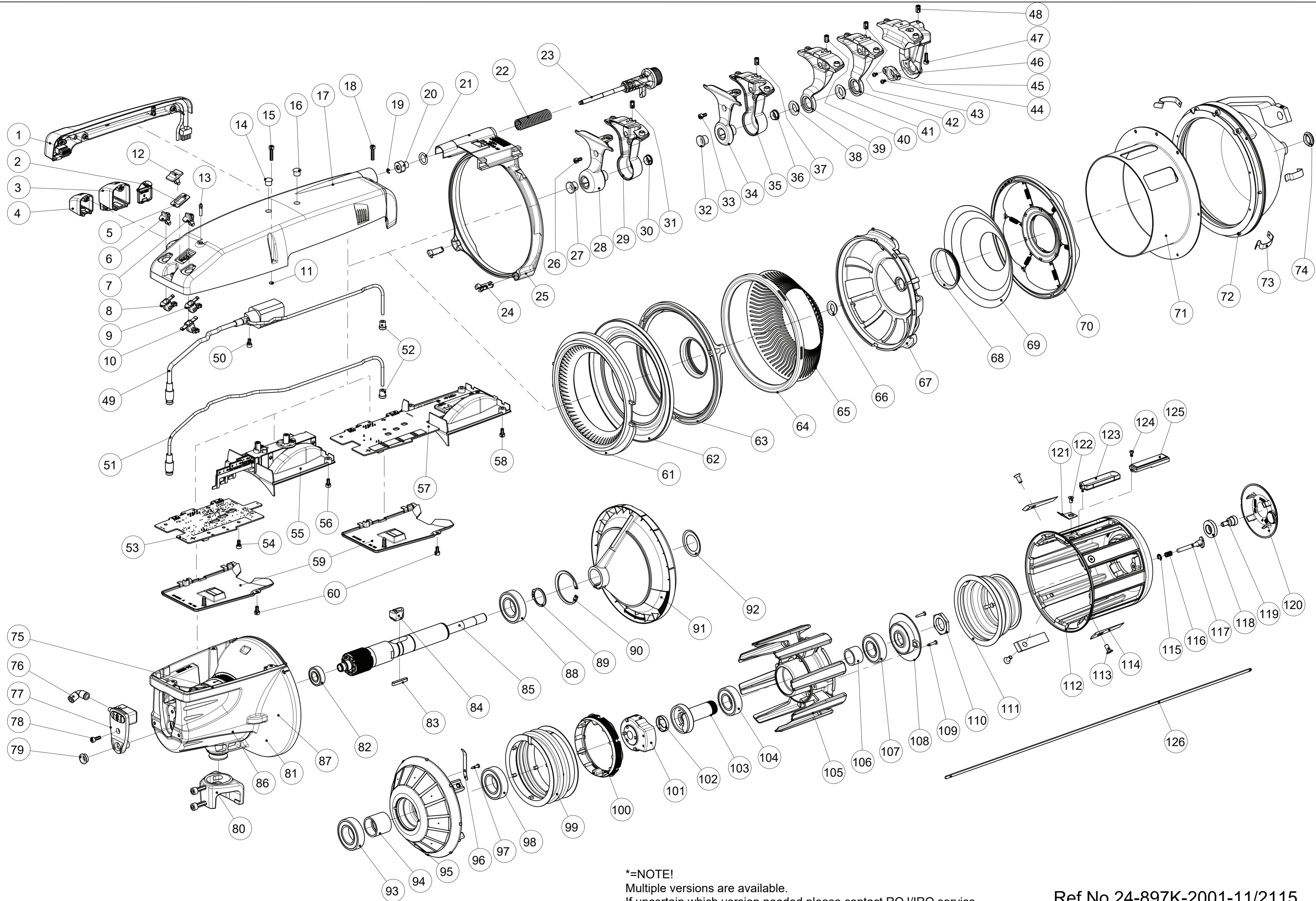


8024/8124 XD X3 - Exploded view



*=NOTE!
 Multiple versions are available.
 If uncertain which version needed please contact ROJ/IRO service.



Parts specific only to one model are identified with □ in the valid column.

XD X3 Optical sensor = O.

XD X3 Mechanical sensor = M.

Unmarked positions are common to both feeder models.

POS	PART NO	DESCRIPTION	O	M	REMARKS
1	24-0652-001	CABLE CHANNEL Complete			
2	24-0611	CABLE COVER			
3	24-0803-1750	CONNECTION CABLE			
3	24-0803-3000	CONNECTION CABLE			Not valid for CAN communication
3	24-0803-5000	CONNECTION CABLE			Not valid for CAN communication
4	24-0653-R	CABLE COVER ACCESSORIES			
5	24-0721-R	ON/OFF SWITCH assembly kit			Incl. pos. 10, 12
6	24-0720-R	S/Z SWITCH assembly kit			Incl. pos. 8
7	24-0719-R	SPEED SWITCH assembly kit		□	Incl. pos. 9
8	24-0720-R	S/Z SWITCH assembly kit			Incl. pos. 6
9	24-0719-R	SPEED SWITCH assembly kit		□	Incl. pos. 7
10	24-0721-R	ON/OFF SWITCH assembly kit			Incl. pos. 5, 12
11	900-9355	O-RING			Package of 10 pcs.
12	24-0721-R	ON/OFF SWITCH assembly kit			Incl. pos. 5, 10
13	28-0041	LIGHT GUIDE			
14, 16	900-9375	PLUG	□		Package of 10 pcs.
15	900-0260	SCREW			Package of 10 pcs.
16, 14	900-9375	PLUG	□		Package of 10 pcs.
17	24-0796-000L	TOP COVER	□		
17	24-0796-001L	TOP COVER		□	
17	24-0739-000L	TOP COVER		□	Together with cone kit 52T00218
18, 31, 37, 40, 43, 48	900-0495	SCREW			Package of 10 pcs.
19	900-9055	LOCKING WASHER			Package of 10 pcs.
20	24-0718	QUICK RELEASE assembly kit			Incl. pos. 19, 21, 22, 23
21	900-9353	O-RING			Package of 10 pcs.
22	24-0718	QUICK RELEASE assembly kit			Incl. pos. 19, 20, 21, 23
23	24-0718	QUICK RELEASE assembly kit			Incl. pos. 19, 20, 21, 22
24	24-0605	SNAP IN CAGE			
25	24-0635-001	BRUSH HOLDER Complete			Full threading. Incl. pos. 20, 21, 24
25	24-0635-002	BRUSH HOLDER Complete			Half threading and non-threading. Incl. pos. 20, 21, 24
26, 33, 50, 54, 56, 58, 60	900-0117	SCREW			Package of 10 pcs.
27, 32	24-0591-001	EYELET			Package of 10 pcs.
27, 32	24-0591-002	EYELET Polished			Package of 10 pcs.
28	24-0648-001-R	NOSE 30° COVER			Full threading. Incl. pos. 27
28	24-0648-002	NOSE 30° COVER Polished eyelet			Full threading. Incl. pos. 27
29	24-0590-001L	NOSE 30° Complete			Full threading. Incl. pos. 26, 27, 28, 30, 31
29	24-0590-002L	NOSE 30° Complete Polished eyelet			Full threading. Incl. pos. 26, 27, 28, 30, 31
30, 36, 79	900-6163-001	EYELET			Package of 10 pcs.
30, 36, 79	900-6163-003	EYELET Polished			Package of 10 pcs.
31, 18, 37, 40, 43, 48	900-0495	SCREW			Package of 10 pcs.
32, 27	24-0591-001	EYELET			Package of 10 pcs.
32, 27	24-0591-002	EYELET Polished			Package of 10 pcs.
33, 26, 50, 54, 56, 58, 60	900-0117	SCREW			Package of 10 pcs.
34	24-0649-001	NOSE 42° COVER			Full threading. Incl. pos. 32
34	24-0649-002	NOSE 42° COVER Polished eyelet			Full threading. Incl. pos. 32
35	24-0590-003L	NOSE 42° Complete			Full threading. Incl. pos. 32, 33, 34, 36, 37
35	24-0590-004L	NOSE 42° Complete Polished			Full threading. Incl. pos. 32, 33, 34, 36, 37
36, 30, 79	900-6163-001	EYELET			Package of 10 pcs.
36, 30, 79	900-6163-003	EYELET Polished			Package of 10 pcs.



Parts specific only to one model are identified with □ in the valid column.
XD X3 Optical sensor = O.
XD X3 Mechanical sensor = M.
Unmarked positions are common to both feeder models.

POS	PART NO	DESCRIPTION	O	M	REMARKS
37, 18, 31, 40, 43, 48	900-0495	SCREW			Package of 10 pcs.
38, 41	27-0479-001	EYELET			Half and non-threading. Package of 10 pcs.
38, 41	27-0479-002	EYELET Polished			Half and non-threading. Package of 10 pcs.
39	24-0735-001L	NOSE 30°			Half and non-threading. Incl. pos. 38, 40
39	24-0735-002L	NOSE 30° Polished eyelet			Half and non-threading. Incl. pos. 38, 40
40, 18, 31, 37, 43, 48	900-0495	SCREW			Package of 10 pcs.
41	27-0479-001	EYELET			Half and non-threading. Package of 10 pcs.
41	27-0479-002	EYELET Polished			Half and non-threading. Package of 10 pcs.
42	24-0585-001L	NOSE 42°			Half and non-threading
42	24-0585-002L	NOSE 42° Polished eyelet			Half and non-threading
43, 40, 18, 31, 37, 48	900-0495	SCREW			Package of 10 pcs.
44	900-0603	SCREW			Package of 10 pcs.
45	27-0887-001	EYELET			Package of 10 pcs.
45	27-0887-002	EYELET Polished			Package of 10 pcs.
46	24-0392-010L	NOSE 55°			Incl. pos. 44, 45, 47, 48
46	24-0392-011I	NOSE 55° Polished eyelet			Incl. pos. 44, 45, 47, 48
47, 78	900-0218	SCREW			Package of 10 pcs.
48, 18, 31, 37, 40, 43	900-0495	SCREW			Package of 10 pcs.
49	24-0668	CYLINDER COMPLETE with air tube			For full threading brush ring push by air
50, 26, 33, 54, 56, 58, 60	900-0117	SCREW			Package of 10 pcs.
51	24-0709	AIR TUBE WITH RUBBER NIPPLE			For full threading with quick release open
52	27-0817	RUBBER NIPPLE			
53	09E00681R0	MOTOR CIRCUIT BOARD		□	Stand alone
53	09E00681R1	MOTOR CIRCUIT BOARD		□	Promatech
53	09E00681R2	MOTOR CIRCUIT BOARD		□	Picanol
53	09E00681R3	MOTOR CIRCUIT BOARD		□	Dornier
53	09E00681R4	MOTOR CIRCUIT BOARD		□	Sultex
53	09E00681R5	MOTOR CIRCUIT BOARD		□	Van de Wiele
53	09E00681R6	MOTOR CIRCUIT BOARD		□	Smit
53	09E00811R10	MOTOR CIRCUIT BOARD		□	ITEMA 170V
54, 26, 33, 50, 56, 58, 60	900-0117	SCREW			Package of 10 pcs.
55	24-0599-001	SENSOR COMPLETE		□	
55	24-0599-002	SENSOR COMPLETE Plastma coated		□	
56, 26, 33, 50, 54, 58, 60	900-0117	SCREW		□	Package of 10 pcs.
57	09E00680R00	MOTOR CIRCUIT BOARD incl. sensor	□		Wira, Stand alone
57	09E00680R10	MOTOR CIRCUIT BOARD incl. sensor	□		Promatech
57	09E00680R20	MOTOR CIRCUIT BOARD incl. sensor	□		Picanol
57	09E00680R30	MOTOR CIRCUIT BOARD incl. sensor	□		Dornier
57	09E00680R40	MOTOR CIRCUIT BOARD incl. sensor	□		Sultex
57	09E00680R50	MOTOR CIRCUIT BOARD incl. sensor	□		Van de Wiele
57	09E00680R60	MOTOR CIRCUIT BOARD incl. sensor	□		Smit
57	09E00722R00	MOTOR CIRCUIT BOARD incl. HS sensor	□		Wira, Stand alone
57	09E00722R10	MOTOR CIRCUIT BOARD incl. HS sensor	□		Promatech
57	09E00722R20	MOTOR CIRCUIT BOARD incl. HS sensor	□		Picanol
57	09E00722R30	MOTOR CIRCUIT BOARD incl. HS sensor	□		Dornier
57	09E00722R40	MOTOR CIRCUIT BOARD incl. HS sensor	□		Sultex

Parts specific only to one model are identified with ☒ in the valid column.
XD X3 Optical sensor = O.
XD X3 Mechanical sensor = M.
Unmarked positions are common to both feeder models.

POS	PART NO	DESCRIPTION	O	M	REMARKS
57	09E00722R50	MOTOR CIRCUIT BOARD incl. HS sensor	☒		Van de Wiele
57	09E00722R60	MOTOR CIRCUIT BOARD incl. HS sensor	☒		Smit
57	09E00810R10	MOTOR CIRCUIT BOARD incl. sensor	☒		ITEMA 170V
57	09E00829R10	MOTOR CIRCUIT BOARD incl. HS sensor	☒		ITEMA 170V
58, 26, 33, 50, 54, 56, 60	900-0117	SCREW		☒	Package of 10 pcs.
59	24-0603	PROTECTION COVER			
60, 26, 33, 50, 54, 56, 58	900-0117	SCREW			Package of 10 pcs.
61	24-0261-001	BRUSH SOFT, natural, z-rotation			
61	24-0261-201	BRUSH SOFT, natural, straight			
61	54T00774	BRUSH MEDIUM, natural, z-rotation			
61	54T00775	BRUSH MEDIUM, natural, s-rotation			
61	54T00773	BRUSH MEDIUM, natural, straight			
61	24-0261-004	BRUSH MEDIUM, synthetic, z-rotation			
61	24-0261-104	BRUSH MEDIUM, synthetic, s-rotation			
61	24-0261-204	BRUSH MEDIUM, synthetic, straight			
61	24-0261-005	BRUSH STIFF, synthetic, z-rotation			
61	24-0261-105	BRUSH STIFF, synthetic, s-rotation			
61	24-0261-205	BRUSH STIFF, synthetic, straight			
61	54T00783	BRUSH X-STIFF, synthetic, z-rotation			
61	54T00784	BRUSH X-STIFF, synthetic, s-rotation			
61	54T00782	BRUSH X-STIFF, synthetic, straight			
61	24-0261-007	BRUSH STIFF, synthetic, z-rotation			Recommend for fibreglass (diameter=110 mm)
61	24-0261-107	BRUSH STIFF, synthetic, s-rotation			Recommend for fibreglass (diameter=110 mm)
61	24-0261-207	BRUSH STIFF, synthetic, straight			Recommend for fibreglass (diameter=110 mm)
62	24-0252-001	E-FLEX, SOFT			(Strip only = 24.0253.001)
62	24-0252-102	E-FLEX, MEDIUM			(Strip only = 24.0253.002)
62	24-0281-003	E-FLEX, STIFF			(Strip only = 24.0253.007)
62	24-0281-103	E-FLEX, EXTRA STIFF			(Strip only = 24.0253.007)
63	54T01059	M-FLEX, Soft			
63	54T01060	M-FLEX, Medium			
63	54T01061	M-FLEX, Stiff			
64	24-0702-001	LAMELLA BRAKE Compl. soft, Z-rotation			Incl. pos. 65, 66, 67 + 34, 42
64	24-0702-002	LAMELLA BRAKE Compl. medium, Z-rotation			Incl. pos. 65, 66, 67 + 34, 42
64	24-0702-003	LAMELLA BRAKE Compl. stiff, Z-rotation			Incl. pos. 65, 66, 67 + 34, 42
65	24-0702-001	LAMELLA BRAKE Compl. soft, Z-rotation			Incl. pos. 64, 66, 67 + 34, 42
65	24-0702-002	LAMELLA BRAKE Compl. medium, Z-rotation			Incl. pos. 64, 66, 67 + 34, 42
65	24-0702-003	LAMELLA BRAKE Compl. stiff, Z-rotation			Incl. pos. 64, 66, 67 + 34, 42
66	26A00057	EYELET			Package of 10 pcs.
67	24-0702-001	LAMELLA BRAKE Compl. soft, Z-rotation			Incl. pos. 64, 65, 66 + 34, 42
67	24-0702-002	LAMELLA BRAKE Compl. medium, Z-rotation			Incl. pos. 64, 65, 66 + 34, 42
67	24-0702-003	LAMELLA BRAKE Compl. stiff, Z-rotation			Incl. pos. 64, 65, 66 + 34, 42
68+69+70	24-699-101	S-FLEX, soft			
68+69+70	24-699-002	S-FLEX, standard			
68+69+70	24-699-003	S-FLEX, stiff			
68	28E01049	LOCKING RING			
69	43E00088	CONE, soft			
69	24-0727-001	CONE, standard			
69	24-0727-002	CONE, stiff			
70	24-0786-101	S-FLEX BRACKET, soft			



Parts specific only to one model are identified with α in the valid column.
XD X3 Optical sensor = O.
XD X3 Mechanical sensor = M.
Unmarked positions are common to both feeder models.

POS	PART NO	DESCRIPTION	O	M	REMARKS
70	24-0786-002	S-FLEX BRACKET, standard			
70	24-0786-003	S-FLEX BRACKET, stiff			
71	35E00308	SWEEP			
72	56T00218	ANTIBALLOON Complete			Incl. pos. 71, 73, 74
73	24B00211	CLAMP FOR CONE			
74	26A00058	EYELET			Package of 10 pcs.
75	27-0727	GROMMET			Package of 10 pcs.
76	900-9296	AIR CONNECTION			
77	24-0617-001	AIR VALVE for threading			Full threading. Incl. pos. 79
77	24-0617-002	AIR VALVE for threading			Half threading. Incl. pos. 79
77	24-0617-011	AIR VALVE for threading, polished eyelet			Full threading. Incl. pos. 79
77	24-0617-012	AIR VALVE for threading, polished eyelet			Half threading. Incl. pos. 79
77	24-0633-001	COVER with eyelet			Incl. pos. 79
77	24-0633-011	COVER with polished eyelet			Incl. pos. 79
78, 47	900-0218	SCREW			Package of 10 pcs.
79, 30, 36	900-6163-001	EYELET			Package of 10 pcs.
79, 30, 36	900-6163-003	EYELET polished			Package of 10 pcs.
80	24-0462	MOUNT COMPL.			
81	24-0898-001K	KIT - MOTOR COMPL.			Incl. pos. 82-90
81	24-0898-002K	KIT - MOTOR COMPL. Polished rotor and eyelet			Incl. pos. 82-90
81	24-0898-101U	KIT - MOTOR COMPL.			For ITEMA looms 170V. Incl. pos. 82-90
81	24-0898-102U	KIT - MOTOR COMPL. Polished rotor and eyelet			For ITEMA looms 170V. Incl. pos. 82-90
82	900-4061	BEARING			Package of 10 pcs.
83	900-9314	KEY			Package of 10 pcs.
84	900-6166	EYELET			Package of 10 pcs.
84	900-6166-001	EYELET, polished			Package of 10 pcs.
85	24-0899-001	KIT - ROTOR COMPL.			Incl. pos. 82-84, 88-90
85	24-0899-002	KIT - ROTOR COMPL., polished			Incl. pos. 82-84, 88-90
86	24-0578	MAGNET FLANGE			
87	900-0624	SCREW			Package of 10 pcs.
88, 93, 98	900-4065	BEARING			Package of 10 pcs.
89	900-9073	CIRCLIP			Package of 10 pcs.
90	900-9099	CIRCLIP			Package of 10 pcs.
91	24-0384-501	WINDING DISC COMPL.			
91	24-0384-502	WINDING DISC COMPL. Polished eyelet			
92	24-0116	WASHER			
93, 88, 98	900-4065	BEARING			Package of 10 pcs.
94	24-0058	SPACER			
95	24-0287	MAGNET RING COMPLETE WITH BELLOWS			Incl. pos. 93, 94, 96-100
95	24-0741-001	MAGNET RING incl. bearings			Incl. pos. 93, 94, 96-98
96	24-0124	GROUND STRIP			
97	900-0479	SCREW			Package of 10 pcs.
98, 88, 93	900-4065	BEARING			Package of 10 pcs.
99	24-0726	BELLEWS COMPLETE			Incl. pos. 100, 109
100	24-0726	BELLEWS COMPLETE			Incl. pos. 99, 109
101	24-0725	COUNTER WEIGHT Assembly kit			Incl. pos. 103
102	24-0725	COUNTER WEIGHT Assembly kit			Incl. pos. 102
103	24-0724-002	INCLINED HUB. Assembly kit			Incl. pos. 108, 110
103	24-0724-003	INCLINED HUB. Assembly kit ,XL-separation			Incl. pos. 108, 110
103	24-0724-004	INCLINED HUB. Assembly kit, XS-separation			Incl. pos. 108, 110
104, 107	900-4064	BEARING			Package of 10 pcs.
105	24-0141	TUMBLING CYLINDER COMPL.			Incl. pos. 104, 106, 107
105	24-0141-001	TUMBLING CYLINDER COMPL. Plasma coated			Incl. pos. 104, 106, 107
105	24-0141-002	TUMBLING CYLINDER COMPL. One way bearing			Incl. pos. 104, 106, 107



Parts specific only to one model are identified with □ in the valid column.
XD X3 Optical sensor = O.
XD X3 Mechanical sensor = M.
Unmarked positions are common to both feeder models.

POS	PART NO	DESCRIPTION	O	M	REMARKS
		TUMBLING CYLINDER COMPL. One way bearing, plasma coated			Incl. pos. 104, 106, 107
105	24-0141-003	TUMBLING CYLINDER COMPL. XL-sep			Incl. pos. 104, 106, 107
105	24-0141-004	TUMBLING CYLINDER COMPL. XL-sep, plasma coated			Incl. pos. 104, 106, 107
105	24-0141-005	TUMBLING CYLINDER COMPL. XL-sep., one way bearing			Incl. pos. 104, 106, 107
105	24-0141-006	TUMBLING CYLINDER COMPL. XL-sep., one way bearing, plasma coated			Incl. pos. 104, 106, 107
	24-0141-007	TUMBLING CYLINDER COMPL. XL-sep., sand blasted			Incl. pos. 104, 106, 107
105	24-0141-008	SPACER			
106	24-0059	BEARING			Package of 10 pcs.
107, 104	900-4064	INCLINED HUB. Assembly kit			Incl. pos. 103, 110
108	24-0724-002	INCLINED HUB. Assembly kit ,XL-separation			Incl. pos. 103, 110
108	24-0724-003	INCLINED HUB. Assembly kit, XS-separation			Incl. pos. 103, 110
108	24-0724-004	SCREW			Package of 10 pcs.
109	900-0585	NUT			
110	31-0350	BELLOWS			
111	24-0242	SPOOL BODY			
112	24-0237	SPOOL BODY Extra polished			
112	24-0237-001	SPOOL BODY Ribbed front			
112	24-0237-002	SPOOL BODY Relaxing ramp + concave			
112	24-0237-008	SPOOL BODY Plasma coated			
112	24-0320	SPOOL BODY Plasma coated + XL-separation			
112	24-0320-001	SPOOL BODY Plasma coated + XL-separation + relaxing ramps			
112	24-0320-002	SPOOL BODY Relaxing ramps + ribbed front			
112	24-0438-005	SPOOL BODY XL-separation			
112	24-0438-006	SPOOL BODY Relaxing ramps + ribbed front + concave + blasting			
112	24-0438-010	SCREW			Package of 10 pcs.
113	900-0120	RELAXING RAMP			
114	24-0695	LOCKING WASHER			Package of 10 pcs.
115	900-9058	S/Z BUTTON. Assembly kit			Incl. pos. 115, 117
116	24-0723	S/Z BUTTON. Assembly kit			Incl. pos. 115, 116
117	24-0723	WASHER PACKAGE AND SCREW			Incl. pos. 119
118	24-0722-R	WASHER PACKAGE AND SCREW			Incl. pos. 118
119	24-0722-R	COVER			
120	27-0160	YARN BREAK MIRROR	□		
121	24-0244	SCREW	□		Package of 10 pcs.
122	900-0327-001	INSERT		□	
123	24-0245	SCREW	□		Package of 10 pcs.
124	900-0426	REFLECTOR COMPL.	□		
125	24-0422	THREADING NEEDLE			
126	24-0174				