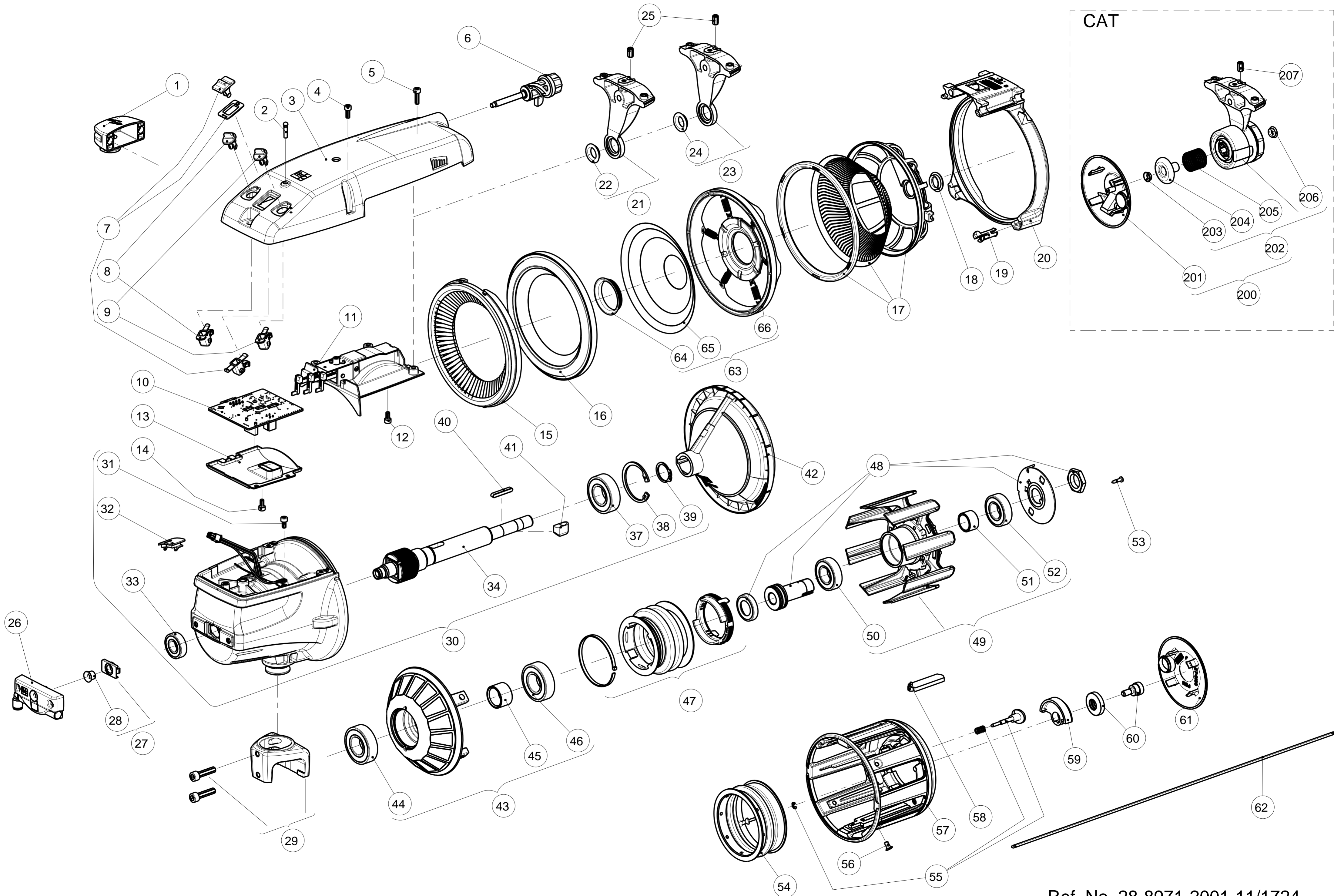


Stella G2 290 - Exploded view





PAGE
1 (2)

Spare parts list for
Stella G2 290 M 1328.2X.XXB

REF. NO.
28-8971-2001-11/1724

POS	PART NO	DESCRIPTION	REMARKS
1	27.0923.1751	CABLE COMPL.	
2	28.0041	LIGHT GUIDE	
3	28.0026.002L	TOP COVER COMPL.	Without circuit board and sensor
4	900.0075	SCREW	
5	900.0097	SCREW	
6	28.0029	QUICK RELEASE COMPL.	
7	28.0086	ON/OFF SWITCH ASSEMBLY KIT	
8	28.0088	S/Z SWITCH ASSEMBLY KIT	
9	28.0087	SPEED ASSEMBLY KIT	
10	28.9004.0001	MOTOR CIRCUIT BOARD	
11	28.0054.001	SENSOR COMPL.	Plasma Coated 28.0054.002
12	900.0117	SCREW	
13	28.0038	PROTECTION COVER	
14	900.0117	SCREW	
15	27.0492.105	BRUSH SOFT, natural, z-rotation.	
15	27.0492.205	BRUSH SOFT, natural, s-rotation.	
15	27.0492.002	BRUSH MEDIUM, natural, straight.	
15	27.0492.102	BRUSH MEDIUM, natural, z-rotation.	
15	27.0492.202	BRUSH MEDIUM, natural, s-rotation.	
15	27.0492.006	BRUSH MEDIUM, synthetic, straight.	
15	27.0492.106	BRUSH MEDIUM, synthetic, z-rotation.	
15	27.0492.004	BRUSH STIFF, synthetic, straight.	
15	27.0492.104	BRUSH STIFF, synthetic, z-rotation.	
16	27.0524.001	E-FLEX 30° SOFT (Rapier)	Black colour (Strip only = 27.0438.001)
16	27.0573.102	E-FLEX 30° MEDIUM (Rapier)	Blue colour (Strip only = 27.0438.002)
16	27.0585.002	E-FLEX 30° STIFF (Rapier)	Red colour (Strip only = 27.0438.002)
16	27.0585.103	E-FLEX 30° EXTRA STIFF (Rapier)	Grey colour (Strip only = 27.0438.003)
16	27.0596.001	E-FLEX 42° SOFT (Projectile)	Black colour (Strip only = 27.0541.001)
16	27.0596.102	E-FLEX 42° MEDIUM (Projectile)	Blue colour (Strip only = 27.0541.002)
16	27.0734.002	E-FLEX 42° STIFF (Projectile)	Red colour (Strip only = 27.0541.002)
16	27.0734.103	E-FLEX 42° EXTRA STIFF (Projectile)	Grey colour (Strip only = 27.0541.003)
17	54T00730	LAMELLA BRAKE, soft Z-rotation, Compl.	
17	54T00731	LAMELLA BRAKE, medium Z-rotation, Compl.	
17	54T00732	LAMELLA BRAKE, stiff Z-rotation, Compl.	
18	27.0479.001	EYELET	
19	27.0490	SNAP-IN CAGE	
20	28.0082	BRUSH RING HOLDER	POS. 19 SNAP-IN-CAGE NOT INCLUDED
21	28.0084.001L	NOSE COMPL 30 DEGREE	
22	27.0479.001	EYELET	
23	28.0034.001L	NOSE COMPL 42 DEGREE	
24	27.0479.001	EYELET	
25	900.0495	SCREW	
26	28.0022.001	PNEUMATIC THREADING DEVICE	Optional
27	28.0037.001	COVER COMPL.	
28	26A00073	EYELET	
29	24.0462	MOUNT COMPL.	
30	28.0096.001K	MOTOR COMPL.	
31	900.0075	SCREW	
32	27.0727	GROMMET	
33	900.4061	BEARING	
34	28.0010.001	ROTOR	
37	900.4064	BEARING	
38	900.9014	CIRCLIP	
39	900.9017	CIRCLIP	
40	900.9314	KEY	
41	900.6160	EYELET	
42	27.0708.001	WINDING DISC COMPL.	
43	28.0093	MAGNET RING INCL. BALL BEARING	
44	900.4064	BEARING	
45	27.0108	SPACER	
46	900.4064	BEARING	
47	28.0090	BELLOWS COMPLETE	

