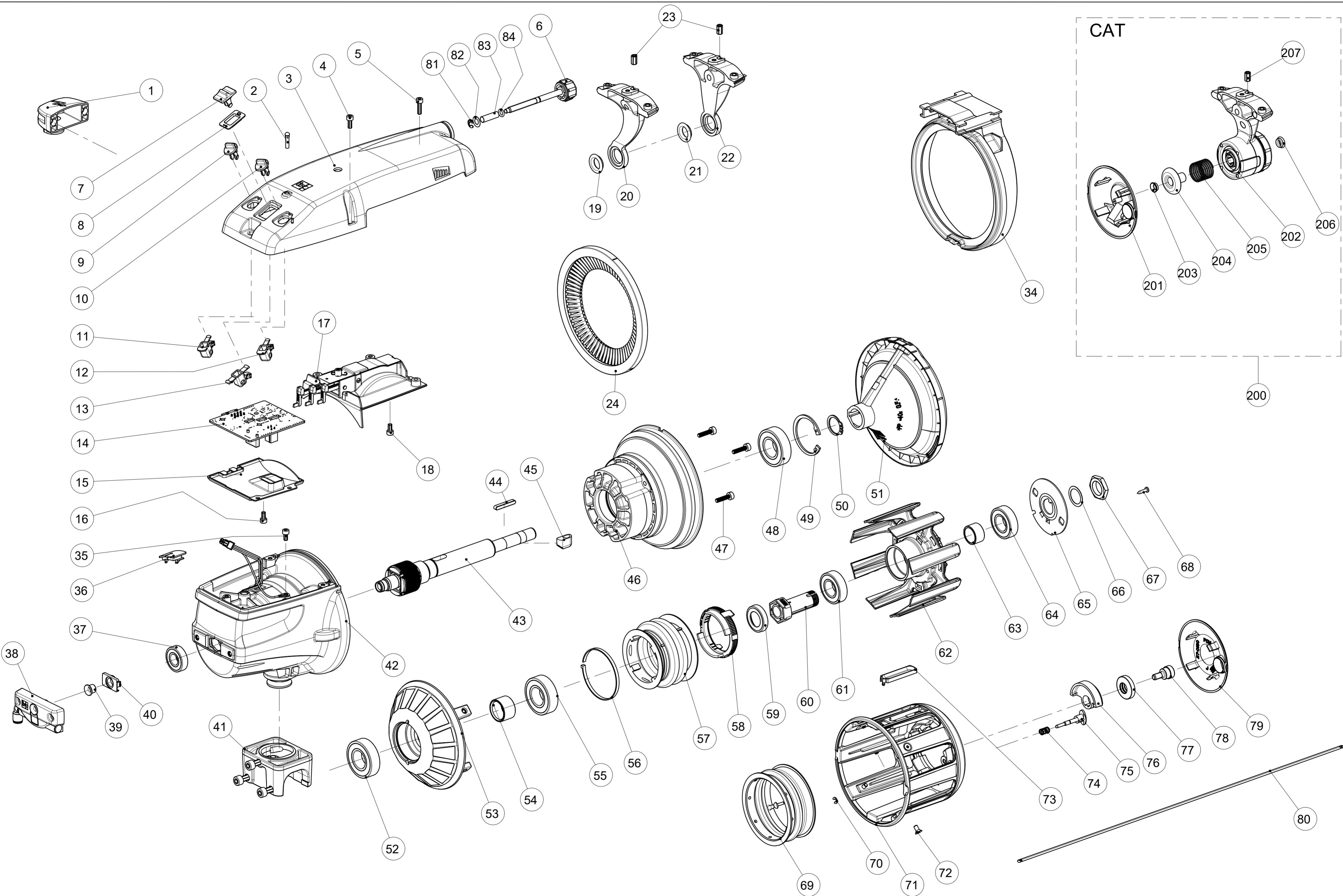


Star G2 290 - Exploded view





| POS | PART NO | DESCRIPTION | REMARKS |
|------------|---------------|-----------------------------------|---|
| 1 | 27-0923-1751 | CABLE COMPL. | |
| 2 | 28-0041 | LIGHT GUIDE | |
| 3 | 28-0026-003E | TOP COVER COMPL. | Incl. pos. 2, 6-13, 34, 81-84 |
| 4 | 900-0075 | SCREW | Package of 10 pcs. |
| 5 | 900-0097 | SCREW | Package of 10 pcs. |
| 6 | 43A01638 | KNOB | |
| 7 | 28-0086 | KIT - ON/OFF SWITCH | Incl. pos. 8, 13 |
| 8 | 28-0086 | KIT - ON/OFF SWITCH | Incl. pos. 7, 13 |
| 9 | 28-0088 | KIT - S/Z SWITCH | Incl. pos. 11 |
| 10 | 28-0087 | KIT - SPEED SWITCH | Incl. pos. 12 |
| 11 | 28-0088 | KIT - S/Z SWITCH | Incl. pos. 9 |
| 12 | 28-0087 | KIT - SPEED SWITCH | Incl. pos. 10 |
| 13 | 28-0086 | KIT - ON/OFF SWITCH | Incl. pos. 7, 8 |
| 14 | 28-9006-0001 | MOTOR CIRCUIT BOARD | |
| 15 | 28-0038 | PROTECTION COVER | |
| 16, 18, 35 | 900-0117 | SCREW | Package of 10 pcs. |
| 17 | 28-0054-001 | SENSOR COMPL. | |
| 18, 16, 35 | 900-0117 | SCREW | Package of 10 pcs. |
| 19, 21 | 27-0479-001 | EYELET | Package of 10 pcs. |
| 20 | 28-0084-001E | NOSE COMPL 30 DEGREE | Incl. pos. 19, 23 |
| 21, 19 | 27-0479-001 | EYELET | Package of 10 pcs. |
| 22 | 28-0034-001E | NOSE COMPL 42 DEGREE | Incl. pos. 21, 23 |
| 23, 207 | 900-0495 | SCREW | Package of 10 pcs. |
| 24 | 820-0009-002 | BRUSH RING 110 mm Medium Z-rot | Natural |
| 24 | 820-0009-006 | BRUSH RING 110 mm Soft Z-rot | Natural, special version with less brush bundles (44) |
| 24 | 820-0360-001 | BRUSH RING 110 mm Soft Straight | Natural |
| 24 | 820-0360-002 | BRUSH RING 110 mm Medium Straight | Natural |
| 24 | 820-0360-003 | BRUSH RING 110 mm Stiff Straight | Natural |
| 24 | 820-0360-004 | BRUSH RING 110 mm Stiff Straight | Synthetic |
| 34 | 28-0061 | BRUSH HOLDER | |
| 35, 16, 18 | 900-0117 | SCREW | Package of 10 pcs. |
| 36 | 27-0727 | GROMMET | |
| 37 | 900-4061 | BEARING | Package of 10 pcs. |
| 38 | 28-0022-001 | PNEUMATIC THREADING DEVICE | Optional |
| 39 | 26A00073 | EYELET | Package of 10 pcs. |
| 40 | 28-0037-001 | COVER COMPL. | Incl. pos. 39 |
| 41 | 120-0055-000E | MOUNT COMPL. | |
| 42 | 28-0096-001B | MOTOR COMPL. | Incl. pos. 35-37, 43, 46-50 |
| 43 | 28-0010-001 | ROTOR | |
| 44 | 900-9314 | KEY | Package of 10 pcs. |
| 45 | 900-6160 | EYELET | Package of 10 pcs. |
| 46 | 27-0816-R | MAGNET FLANGE | |
| 47 | 900-0624 | SCREW | Package of 10 pcs. |
| 48, 52, 55 | 900-4064 | BEARING | Package of 10 pcs. |
| 49 | 900-9014 | CIRCLIP | Package of 10 pcs. |
| 50 | 900-9017 | CIRCLIP | Package of 10 pcs. |
| 51 | 27-0708-001 | WINDING DISC COMPL. | |
| 52, 48, 55 | 900-4064 | BEARING | Package of 10 pcs. |
| 53 | 28-0093 | MAGNET RING COMPL. | Incl. pos. 52, 54, 55 |
| 54 | 27-0108 | SPACER | |
| 55, 48, 52 | 900-4064 | BEARING | Package of 10 pcs. |
| 56 | 900-5197 | CABLE TIE | Package of 10 pcs. |
| 57 | 28-0090-R | BELLOWS COMPL. | Incl. pos. 56, 58 |
| 58 | 28-0090-R | BELLOWS COMPL. | Incl. pos. 56, 57 |
| 59 | 27-0393 | WASHER | |
| 60 | 28-0089-004 | INCLINED HUB ASSEMBLY KIT | Incl. pos. 59, 65-67 |
| 61, 64 | 900-4063 | BEARING | Package of 10 pcs. |
| 62 | 27-0330-000 | TUMBLING CYLINDER ASSY. | Incl. pos. 61, 63, 64 |
| 63 | 120-0024 | SPACER | |
| 64, 61 | 900-4063 | BEARING | Package of 10 pcs. |
| 65 | 28-0089-004 | INCLINED HUB ASSEMBLY KIT | Incl. pos. 59, 60, 66, 67 |
| 66 | 28-0089-004 | INCLINED HUB ASSEMBLY KIT | Incl. pos. 59, 60, 65, 67 |



| POS | PART NO | DESCRIPTION | REMARKS |
|---------|--------------|-----------------------------|----------------------|
| 67 | 120-0042 | NUT | |
| 68 | 900-0153 | SCREW | Package of 10 pcs. |
| 69 | 27-0078 | BELLOWS | |
| 70 | 900-9055 | LOCKING WASHER | Package of 10 pcs. |
| 71 | 27-0361-012 | SPOOLBODY | |
| 72 | 900-0327-001 | SCREW | Package of 10 pcs. |
| 73 | 27-0513 | INSERT | |
| 74 | 28-0091-R | KIT - S/Z BUTTON | Incl. pos. 70, 75 |
| 75 | 28-0091-R | KIT - S/Z BUTTON | Incl. pos. 70, 74 |
| 76 | 27-0158 | BALANCE WEIGHT | |
| 77 | 28-0092-R | WASHER PACKAGE AND SCREW | Incl. pos. 78 |
| 78 | 28-0092-R | WASHER PACKAGE AND SCREW | Incl. pos. 77 |
| 79 | 27-0160 | COVER | |
| 80 | 24-0174 | TREADING NEEDLE | |
| 81 | 900-9058 | CIRCLIP | Package of 10 pcs. |
| 82 | 900-2170 | WASHER | Package of 10 pcs. |
| 83 | | SHRINK TUBE, diameter 6,4mm | Not available |
| 84 | 23A00030 | O-RING | Package of 10 pcs. |
| 200 | 28-0044-000E | CAT KIT COMPL. WITH CONE | |
| 201 | 27-0328-100 | CAT CONE COMPL. | |
| 202 | 28-0036-000E | CAT COMPL. | Incl. pos. 203 - 207 |
| 203 | 107-5285 | EYELET | Package of 10 pcs. |
| 204 | 107-5284-002 | TENSIONER DISC | Incl. pos. 203 |
| 205 | 107-5192-001 | SPRING MEDIUM | |
| 205 | 107-5192-004 | SPRING SOFT | Marked green |
| 205 | 107-5192-002 | SPRING STIFF | Marked orange |
| 206 | 900-6101 | EYELET | Package of 10 pcs. |
| 207, 23 | 900-0495 | SCREW | Package of 10 pcs. |
| | | | |
| | | | |
| | | | |
| | | | |
| | | | |
| | | | |
| | | | |
| | | | |
| | | | |
| | | | |
| | | | |